



Stairlifts

**More than just a commitment to providing superior quality STAIRLIFTS:
A team dedicated to making life easier for every customer who comes our way.**

Vision Elevators' stairlifts are fully imported from reputable companies in Europe and comply with all the relevant EU safety standards. The innovative designs take into consideration the special requirements of the elderly and disabled.



VISION
ELEVATORS



We go further

Stairlifts



TECHNICAL DATA	STRAIGHT STAIRLIFT	CURVED STAIRLIFT
Minimum stair width	700 mm	770 mm
Gradient	from 24° to 47°	from -61° to 61°
Gradient changes	No	Yes
Minimum rail dimension	160mm	170 mm
Width with footrest folded	325 mm	420 mm
Load capacity	127 kg	125 kg
Speed	0,1 m/s	0,15 m/s
Voltage	24 DC	24 DC
Power consumption	0,25 Kw	0.36 Kw
Use	Passenger transportation	
Electrical Supply	220V	
Drive	Rack and pinion	
Drive Location	Within unit	

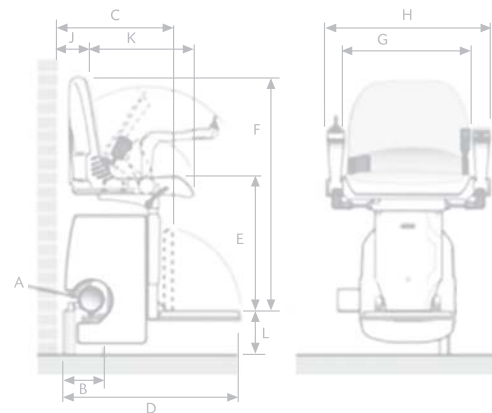
STANDARD FEATURES

- Upward downward push-button controls on board with isolating key switch
- Swivel seat
- Folding footrest
- Anti-crushing and anti-squashing devices
- Terminal switch and safety final limit switch
- Cushioned mechanical stops
- Motor with electromagnetic brake
- Manual emergency descent
- Overspeed governor with safety gear
- Soft start

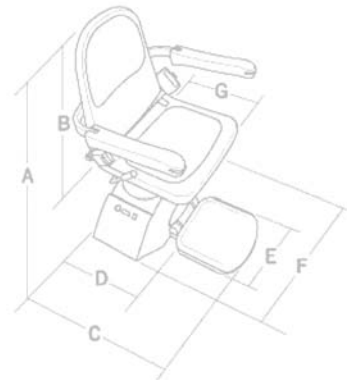




Dimensions: Curved		mm
A	Rail diameter	76
B	Rail depth (from wall)	170
C	Overall depth (when folded)	420
D	Overall depth (from wall)	666
E	Height to seat (from footrest)	484
F	Height to top of backrest (from footrest)	830
G	Seat width (inside armrests)	475
H	Seat width (outer armrests)	580
J	Depth to wall (from backrest)	100
K	Depth of seat	380
L	Height to footrest (from floor)	133



Dimensions: Straight		mm
A	Overall height (from floor)	1020
B	Height of seat	495
C	Overall depth (from wall)	585
D	Overall depth (when folded)	325
E	Width of footrest	305
F	Overall width	560
G	Depth of seat	410





Tel: 0860 105 727 Fax: 0866 105 575 | info@visionelevators.co.za | www.visionelevators.co.za